

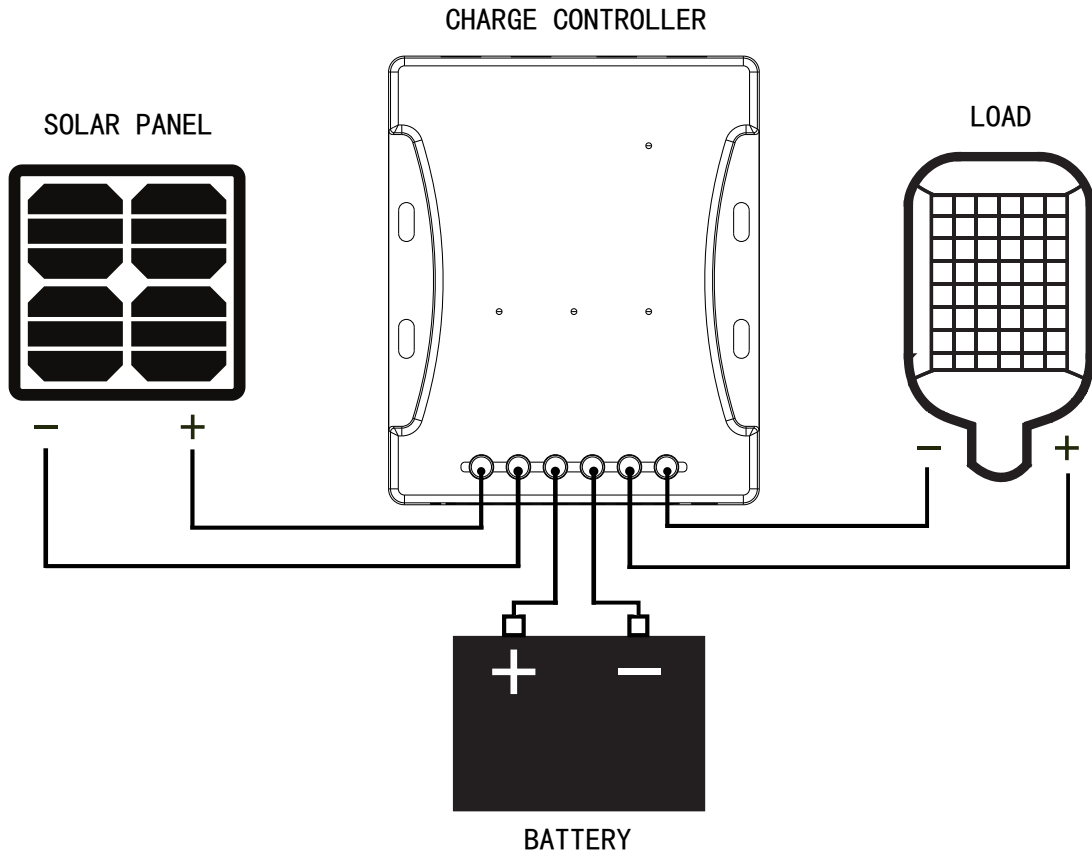
LTW Series PWM Solar Charge Controller



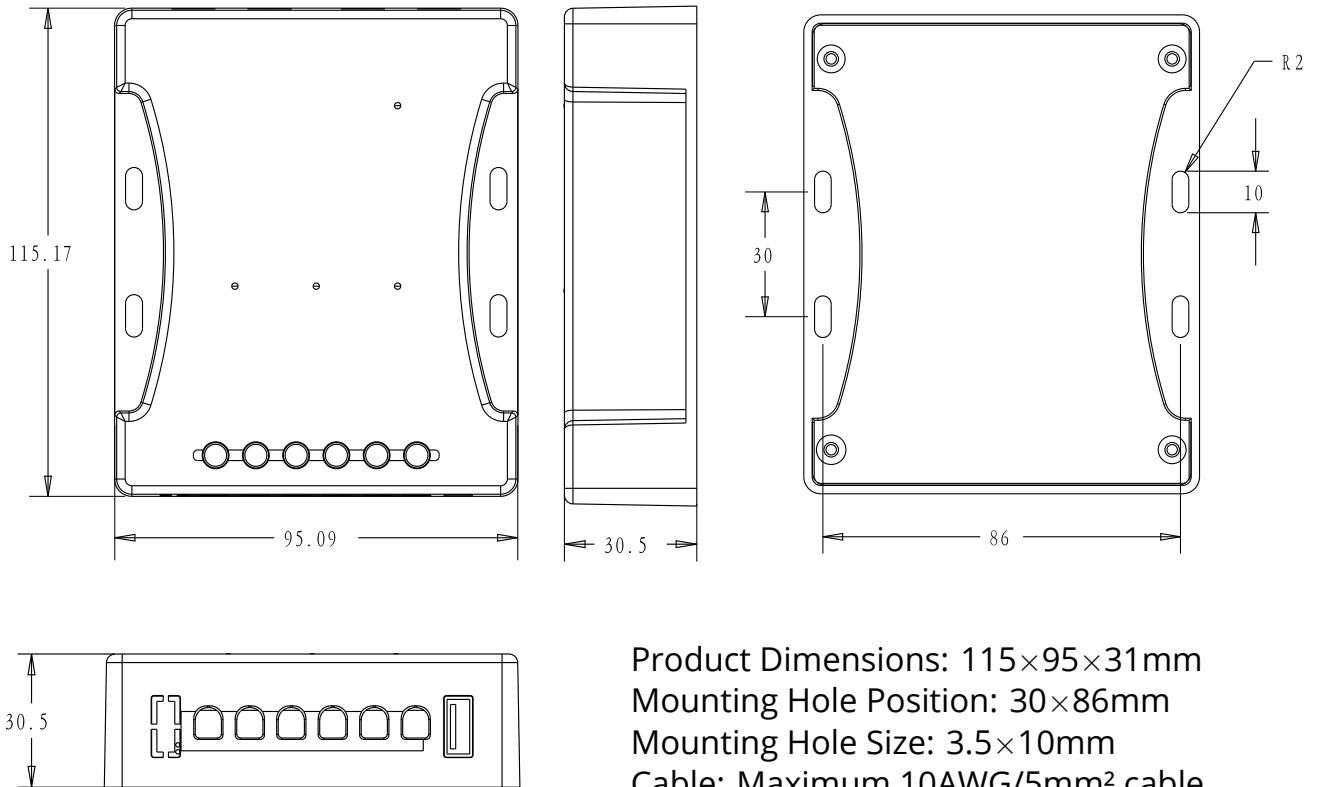
Product Features

- Built-in Bluetooth and WiFi functions, supports both Bluetooth and WiFi connection to mobile APP, allowing local or remote configuration of battery type and load parameters, and real-time monitoring of device operating status.
- Provides comprehensive protection functions: charging overvoltage, overcurrent protection, overheat protection; load short circuit, overcurrent protection; battery low voltage, overvoltage protection; PV panel reverse connection, lightning protection.
- Battery supports 12V/24V auto-adaptation, supports sealed, gel, flooded lead-acid batteries and lithium battery charging, supports custom battery parameters.
- Lithium battery can be automatically activated via PV, achieving 0V battery startup.
- Provides USB 5V/1A port.
- Supports capacitive and inductive loads.

Product Connection Diagram



Product Dimensions



Product Specifications

Model	LTW2410	LTW2420	LTW2430
System Voltage	12V/24V/36V		
Max Charging Current	10A	20A	30A
Max Load Current	10A		20A
Standby Power	<1W		
Battery Voltage	9V~51V		
Max PV Voltage	80V		
Max PV Power	150W/12V 300W/24V 450W/36V	300W/12V 600W/24V 900W/36V	450W/12V 900W/24V 1350W/36V
USB Port	5V1A		
Wireless Communication	Bluetooth BLE5.0/WiFi 2.4G		
Terminal	Max 10AWG/5mm ²		
LED Indicator	Yellow(Battery), Green(Charging), Red(Load), Blue(Communication)		
Protection Functions	PV: Overvoltage, Reverse Connection, Short Circuit, Reverse Charge, Lightning Protection; Battery: Overvoltage, Over-discharge, Reverse Connection; Load: Overcurrent, Short Circuit; System: Overheat Protection;		
Operating Temperature	-25°C~+50°C		
Housing Material	Flame-retardant ABS		
Protection Degree	IP30		
Cooling Method	Natural Heat Dissipation		
Weight	150g		180g
Dimensions	115mm×95mm×31mm		